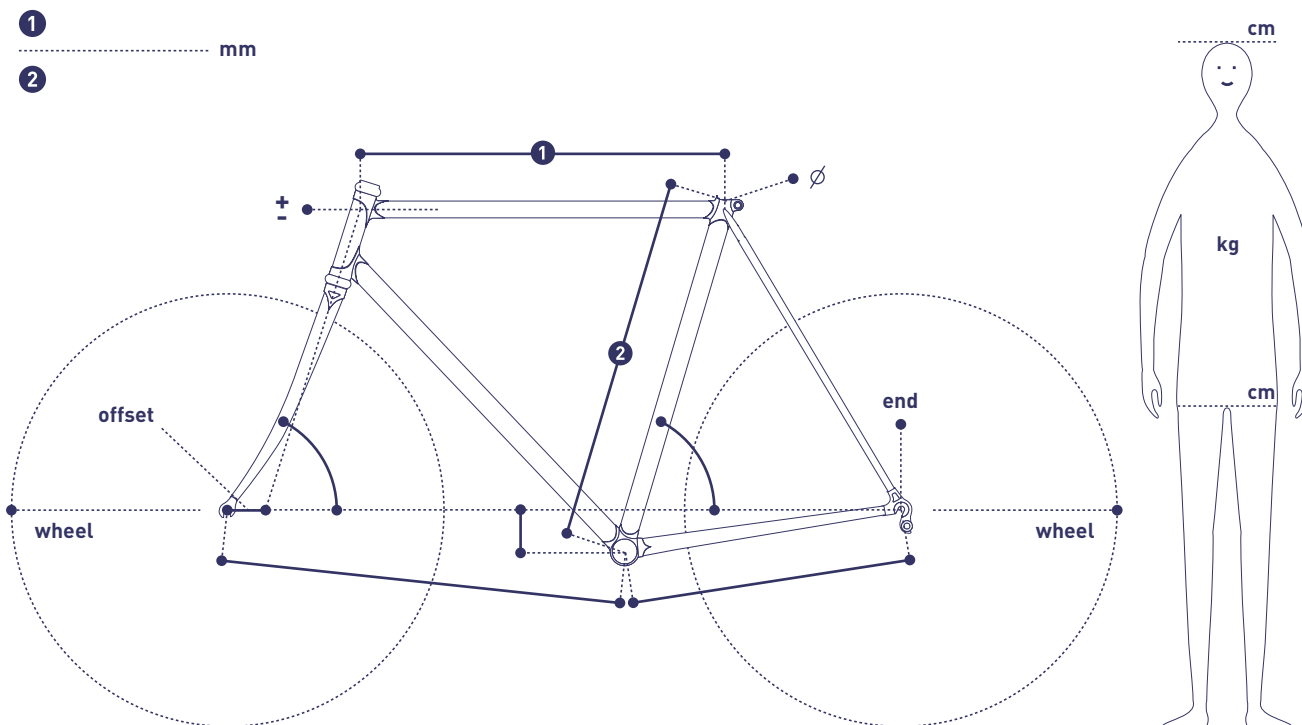


Name	▼ ▲	Address
TEL		E-mail



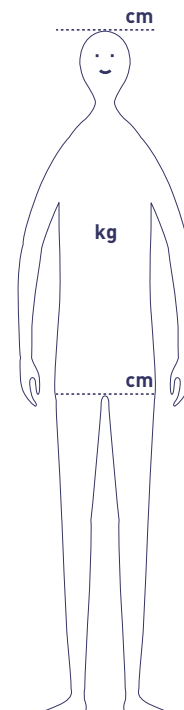
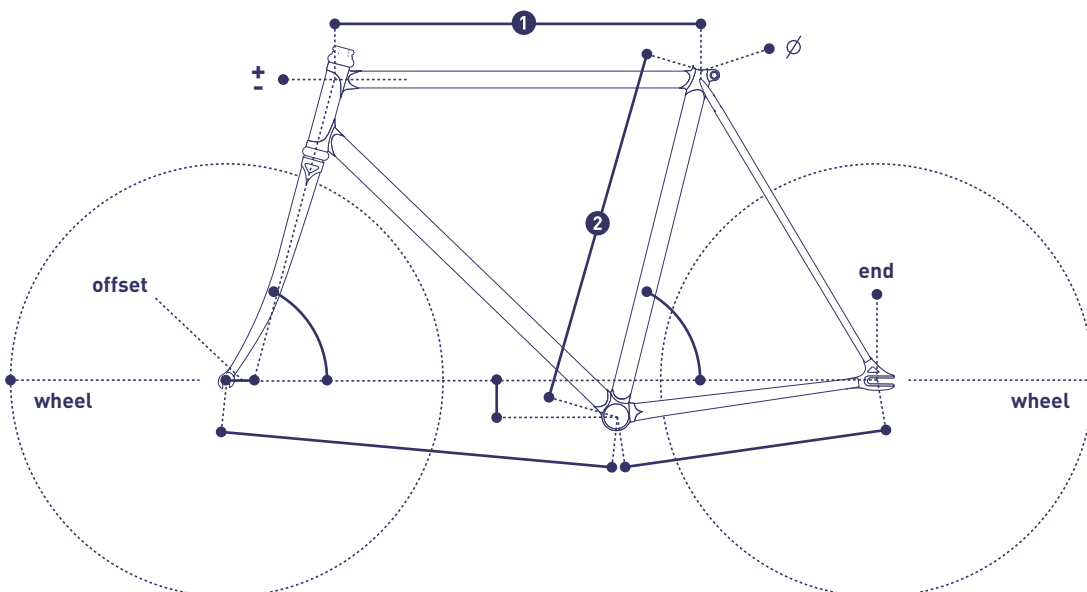
Frame Price - 120,000 yen (+tax)

Tube	Kaisei - 019 + 0	Kaisei - 4130R + 13,000 +tax	Kaisei - 8630R + 15,000 +tax	Kaisei - UltimaR + 26,000 +tax	Eco - Stronglight + 13,000 +tax	Columbus Spirit Keirin + 26,000 +tax
Front-Fork	Oval - Bend LC-01 + 0	Oval - Straight LC-01 + 0	Oval - Bend Nagasawa + 2,000 +tax	Keirin Kalavinka + 1,000 +tax	Aero + 5,000 +tax	
Head-Set	Ahead - ITA + 0	Ahead - JIS + 0	Thread - ITA + 0	Thread - JIS + 0	Other +	
Seat-Stay	Cap + 0	Konoha + 0	Direct + 4,000 +tax	Classic + 5,000 +tax	Other +	
Brake-Cable	Outer Cable-Stop + 0	Outer Cable-Guide + 0	Innner Cable-Guide ↓↓ + 0	Innner Cable-Guide ↑↑ + 2,000 +tax	Innner Cable-Guide ↑↓ + 2,000 +tax	Innner Cable-Guide ↓↑ + 2,000 +tax
Boss	FD [T]	W- Lever + 0	Chain - Hook + 1,000 +tax	Mat - Guard ASK	Carrier ASK	Pump - Peg ASK

Note

Name	▼ ▲	Address
TEL		E-mail

① mm
 ②



Frame Price - 100,000 yen (+tax)

Tube	Kaisei - 019 + 0	Kaisei - 4130R + 13,000 +tax	Kaisei - 8630R + 15,000 +tax	Kaisei - UltimaR + 26,000 +tax	Eco - Stronglight + 13,000 +tax	Columbus Spirit Keirin + 26,000 +tax
Front-Fork	Oval - Bend LC-01 + 0	Oval - Straight LC-01 + 0	Oval - Bend Nagasawa + 2,000 +tax	Keirin Kalavinka + 1,000 +tax	Aero + 5,000 +tax	
Head-Set	Ahead - ITA + 0	Ahead - JIS + 0	Thread - ITA + 0	Thread - JIS + 0	Other +	
Seat-Stay	Cap + 0	Konoha + 0	Direct + 4,000 +tax	Classic + 5,000 +tax	Other +	
Brake	No + 0	Rear + 2,000 +tax	Front + 3,000 +tax	Rear - Front + 5,000 +tax		
Brake-Cable	Outer Cable-Stop + 2,000 +tax	Outer Cable-Guide + 3,000 +tax	Innner Cable-Guide ↓↓ + 5,000 +tax	Innner Cable-Guide ↑↑ + 6,000 +tax	Innner Cable-Guide ↑↓ + 6,000 +tax	Innner Cable-Guide ↓↑ + 6,000 +tax

Note



FRAME - SUB - ORDER SHEET

S/N	RV-	Name	▼ ▲
Date		Address	

